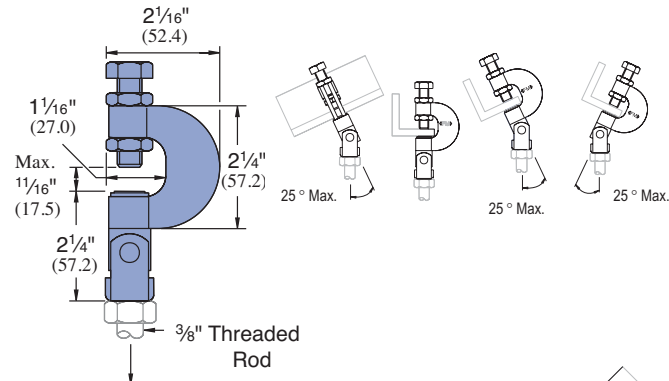


P2897

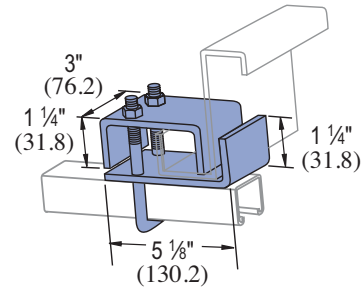


Design Load (Safety Factor of 4)
 (angles ≤ 25°) - 550 Lbs (2.45 kN)
 (angles > 25°) - 330 Lbs (1.47 kN)

Safety Factor 4
 Torque: 13 Ft-Lbs (18 N·m)

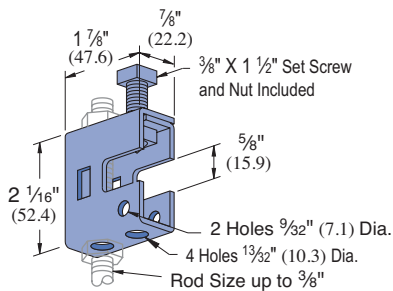
Wt/100 pcs: 33 Lbs (15.0 kg)

P2784



Part Number	For Use With	Load Lbs (kN)	Wt/100 pcs Lbs (kg)
P2784-1	P1000, P1100, P2000	1,200	175
		5.34	79.3
P2784-2	P1001, P1101, P2001	1,200	179
		5.34	81.1
P2784-3	P5001, P5501	1,200	180
		5.34	81.5

P2675

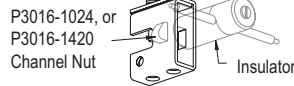


Design Load
 250 Lbs (1.11 kN)

Design Load
 150 Lbs (.67 kN)

Clamp Materials: .105" (2.7) thick steel.
 Clamp P2675 is designed for light duty rod suspension.
 It also may be used with P3016-1024 or P3016-1420 nut as illustrated above for mounting insulators, etc.

Wt/100 pcs: 33 Lbs (15.0 kg)



P8000, P8001 – JUNIOR DUCTILE IRON TOP BEAM CLAMP

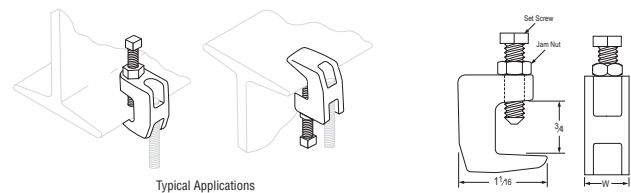
Material: 3/8" and 1/2" rod sizes
Finish: Plain (PL) and Electro-Galvanized (EG)
Function: Structural attachment to top or bottom of metal beams, purlins, channel, or angle iron

Features:
 • Set screw made of hardened steel
 • Complies with Federal Specification A-A192A (Type 19) and MSS SP-69 (Type 19)



Part No. Plain & EG	Rod Size	Max Load Top Lbs*	Max Load Bottom Lbs*	Weight Lbs	W
P8000	3/8	500	250	0.33	7/8
P8001	1/2	950	760	0.34	1 1/16

NOTE: *Max load may exceed allowable load for threaded rod size shown.



Note: When used for mechanical supports, load capacities of brackets, fittings and other supporting elements should be in compliance with the American Standard Code for Pressure Piping. Clamps are designed to be used with W, M, S & HP Shape beams, Standard C & Misc. MC Channels, Angles & Structural Tees. Clamps must be used in pairs where indicated. For beam clamps with HG finish, standard hardware is EG finish. For optional stainless steel hardware, please contact the factory for availability.